

# Holders for Square Tubes HTR-ST5

Mountings for spring plungers from M5 to G1/2"



## Suitability for industry specific applications

### Application

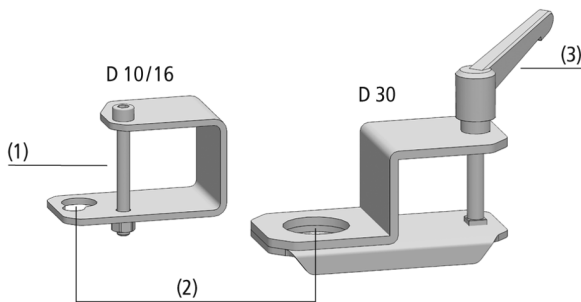
- Holder for mounting of suction cups and spring plungers on square tubes



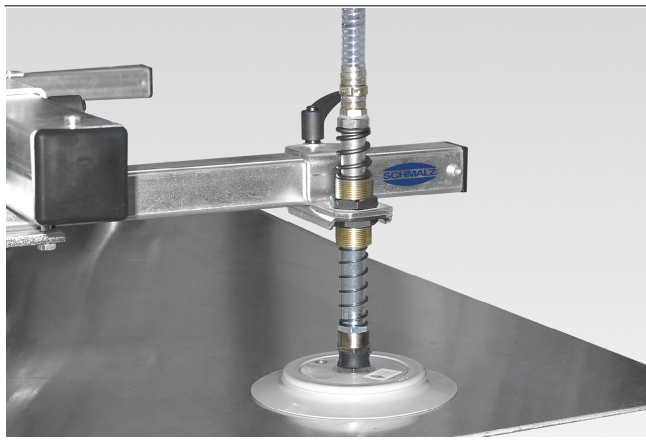
Holders for Square Tubes HTR-ST5

### Design

- Folded holder made from sheet steel with drilled mounting holes (2)
- Size D10/16: secured to square tube with machine screw (1)
- Size D30: secured to square tube with clamping lever and machine screw (3)



System design Holders for Square Tubes HTR-ST5



Mounting example holders HTR-ST5

### Product highlights

- Mounting on square tubes for flexible use and quick changeover
- Direct mounting of suction cups or spring plungers possible
- Tool-free mounting via clamping lever (type STS-...-D30)
- Versatile use, as suitable for spring plungers from M5 to G1/2"

# Holders for Square Tubes HTR-ST5

Mountings for spring plungers from M5 to G1/2"

## Designation code Holders for Square Tubes HTR-ST5

|                |   |              |   |               |   |           |
|----------------|---|--------------|---|---------------|---|-----------|
| <b>HTR-ST5</b> | – | <b>30x30</b> | – | <b>D10/16</b> | – | <b>WI</b> |
| <b>1</b>       |   | <b>2</b>     |   | <b>3</b>      |   | <b>4</b>  |

### 1 – Abbreviated designation

| Code    | Version |
|---------|---------|
| HTR-ST5 | HTR-ST5 |

### 2 – For square section

| Code     | For square section in mm |
|----------|--------------------------|
| 30x30... | 30x30 to 60x60           |
| 60x60    |                          |

### 3 – Spring plunger connection

| Code          | Diameter in mm     |
|---------------|--------------------|
| D10/D16...D30 | ø 10.5/16.5 and 31 |

### 4 – Design

| Code | Type  |
|------|-------|
| WI   | Angle |

Holder for square tubes HTR-ST5 is delivered as a ready-to-connect product.

Available accessories: washer with shoulder and washer

## Ordering data Holders for Square Tubes HTR-ST5

| Type                    | Part no.       |
|-------------------------|----------------|
| HTR-ST5 30x30 D10/16 WI | 10.08.03.00088 |
| HTR-ST5 40x40 D10/16 WI | 10.08.03.00089 |
| HTR-ST5 40x40 D30 WI    | 10.08.03.00090 |
| HTR-ST5 50x50 D30 WI    | 10.08.03.00091 |
| HTR-ST5 60x60 D30 WI    | 10.08.03.00092 |

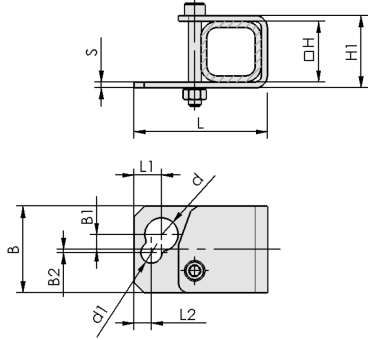
## Ordering data Accessories Holders for Square Tubes HTR-ST5

| Type                    | Washer with shoulder M16 | Washer with shoulder M18 | Washer with shoulder M20 | Washer M30     |
|-------------------------|--------------------------|--------------------------|--------------------------|----------------|
| HTR-ST5 30x30 D10/16 WI | 10.01.01.10025           | 10.01.03.06140           | 10.01.01.10015           | 20.06.01.00044 |
| HTR-ST5 40x40 D10/16 WI | 10.01.01.10025           | 10.01.03.06140           | 10.01.01.10015           | 20.06.01.00044 |
| HTR-ST5 40x40 D30 WI    | 10.01.01.10025           | 10.01.03.06140           | 10.01.01.10015           | 20.06.01.00044 |
| HTR-ST5 50x50 D30 WI    | 10.01.01.10025           | 10.01.03.06140           | 10.01.01.10015           | 20.06.01.00044 |
| HTR-ST5 60x60 D30 WI    | 10.01.01.10025           | 10.01.03.06140           | 10.01.01.10015           | 20.06.01.00044 |

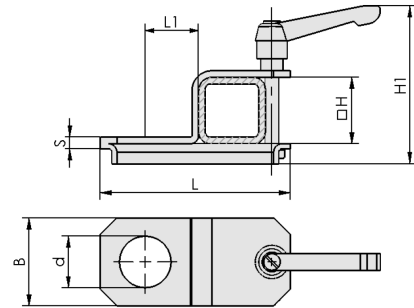
# Holders for Square Tubes HTR-ST5

Mountings for spring plungers from M5 to G1/2"

## Design data Holders for Square Tubes HTR-ST5




HTR-ST5 D10/16



HTR-ST5 D30

## Holders for Square Tubes HTR-ST5

Mountings for spring plungers from M5 to G1/2"

  **Design data Holders for Square Tubes HTR-ST5**

| Type                          | B [mm] | B1 [mm] | B2 [mm] | d [mm] | d1 [mm] | H [mm] | H1 [mm] | L [mm] | L1 [mm] | L2 [mm] | s [mm] |
|-------------------------------|--------|---------|---------|--------|---------|--------|---------|--------|---------|---------|--------|
| HTR-ST5<br>30x30 D10/16<br>WI | 43     | 7.5     | 1.5     | 16.5   | 10.5    | 30     | 36      | 66     | 11      | 8.5     | 3      |
| HTR-ST5<br>40x40 D10/16<br>WI | 43     | 7.5     | 1.5     | 16.5   | 10.5    | 40     | 46      | 76     | 11      | 8.5     | 3      |
| HTR-ST5<br>40x40 D30 WI       | 53     | -       | -       | 31.0   | -       | 40     | 95      | 114    | 32      | -       | 7      |
| HTR-ST5<br>50x50 D30 WI       | 53     | -       | -       | 31.0   | -       | 50     | 105     | 124    | 32      | -       | 7      |
| HTR-ST5<br>60x60 D30 WI       | 53     | -       | -       | 31.0   | -       | 60     | 115     | 134    | 32      | -       | 7      |